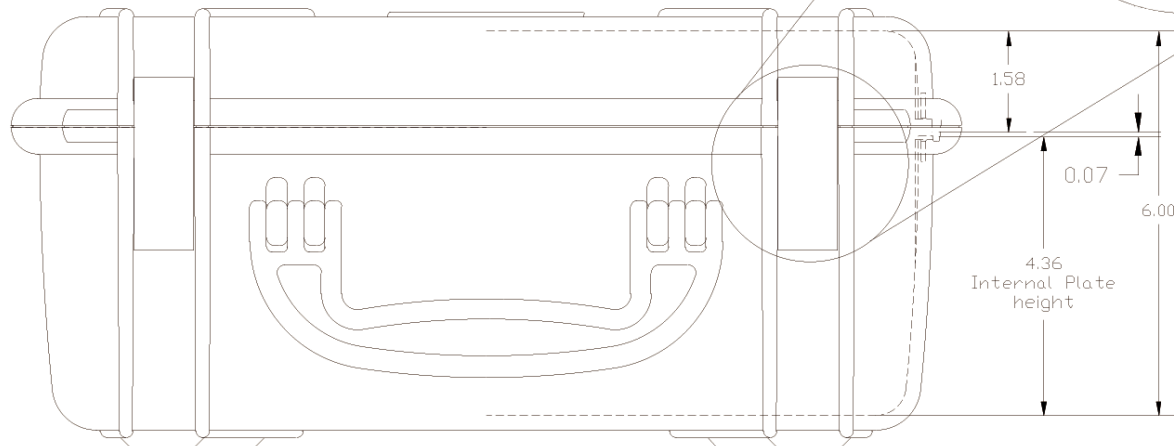
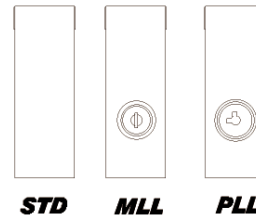


Options for latches



Note:
Max. usable inside dimensions are:
13.49" X 9.78" X 6.00" dim. are approx. (curved enclosure)

CIP S Partnership Ltd.

Ponswood Industrial Estate, Drury Lane,
Hastings, TN38 9BA, UK

Tel: +44 (0) 1424 442663 Fax: +44 (0) 1424 433835

Website: www.seahorsecases.eu

Email: sales@seahorsecases.eu