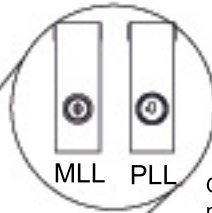
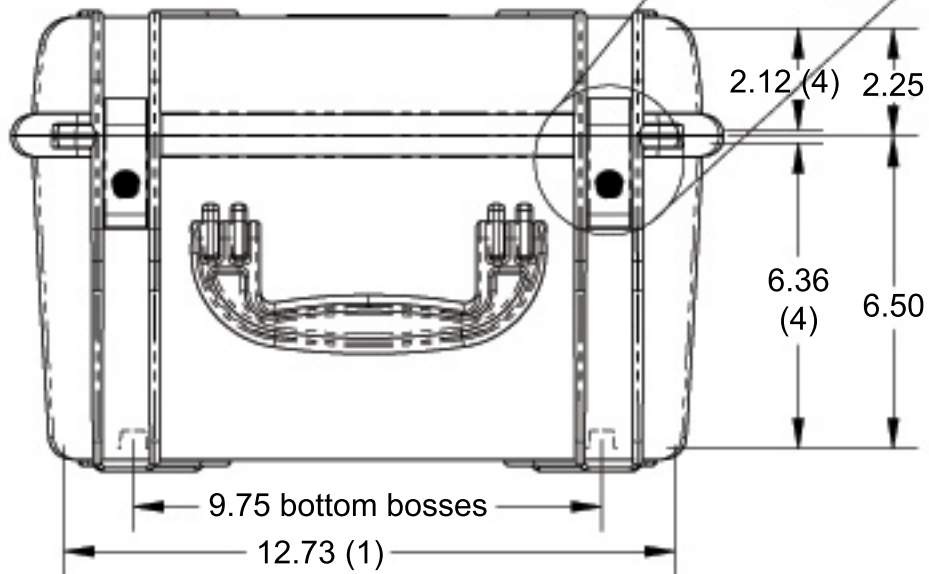


Optional  
Latches (2)



Optional latches  
must be specified  
at time of order.



**NOTES:**

- 1) Max. usable inside dimensions are: 12.73" x 9.22" x 8.75".  
Dim. are approx. (curved case)
- 2) Metal Locking Latches p/n MLL and Plastic Metal Latches p/n PLL are optional.
- 3) Bosses on bottom use a 1/4 self tapping screw.
- 4) Dimensions to bottom of panel flange.



**Partnership Ltd.**

Ponswood Industrial Estate  
Drury Lane, Hastings,  
TN38 9BA, UK

Tel: +44 (0) 1424 442663

Fax: +44 (0) 1424 433835

Web: [www.seahorsecases.eu](http://www.seahorsecases.eu)

Email: [sales@seahorsecases.eu](mailto:sales@seahorsecases.eu)